

Bag suction Palletcher

SGP-H

series



NEW

Bag Adsorption

Robot Mounted

vacuum adjustment

depth adjustable

CONVUM ch



NEW

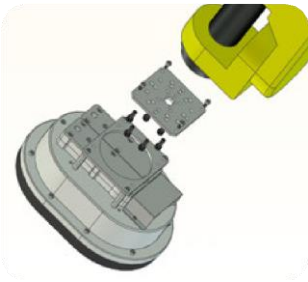
Bag suction Palletcher

SGP-H series



Robot Mounted

attachable to various robots using the upper flange plate



Compatible robot table on

Page 12

vacuum adjustment

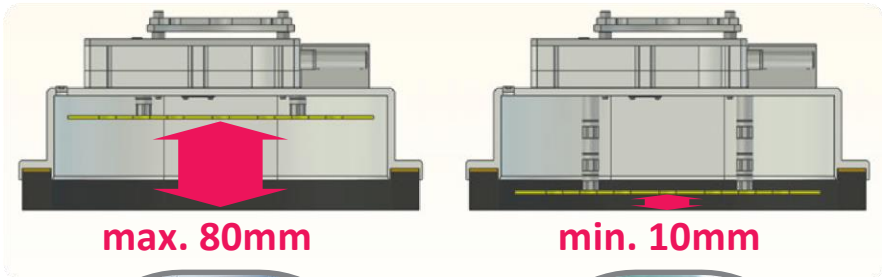
SGP-H is equipped with a vacuum adjustment needle that allows adjustment of vacuum pressure. Ideal for workpieces that are easily deformed or torn, and also compatible with an external vacuum source.



vacuum adjustment needle

depth adjustable

SGP-H2 is larger and allows for depth adjustment, the suction flow rate of the installed ejector is 2x higher, and it has high air permeability, making it ideal for workpieces with a small filling rate.



Adsorption marks can be reduced by making the stopper shallower.



low filling rate



Deep suction marks



Suction marks when shallow

Suction conveys bagged workpieces



○ SGP-H Gravel/Plastic bag (20kg)



○ SGP-H pellets/plastic bag (20kg)



○ SGP-H2 rice/kraft paper (30kg)



○ SGP-H2 PET bottle shrink (30kg)

○ Model number

SGP-H- **190x300** **-CRT30-** **G02**

①

②

③

① Sponge Size

190x300	Height 190mm Width 300mm
250x350	Height 250mm Width 350mm

② Sponge Specifications

CRT30	Material: Chloroprene sponge rubber Thickness: 30mm Hardness: ASCER C 8
--------------	--

③ Vacuum Source Specifications

No symbol	Equipped with ejector
G02	None



○ Specification

Item	Unit	SGP-H-□-CRT30	SGP-H-□-CRT30-G20	
Operating temperature limit	°C	0 to 60 However, no freezing		
Fluid used		Oil-free compressed air	-	
Pressure range		0.15 ~ 0.6MPa	-90 ~ 0kPa	
Rated pressure	MPa	0.45	0,55	
Ultimate vacuum pressure	kPa	-55	-65	Depends on externally connected equipment
Suction flow rate ※1	L/min(ANR)	557	604	-
Air consumption flow rate	L/min(ANR)	201	239	-
Exhaust volume	Vacuum opening dB(A)	87	88	-
	Vacuum port closed dB(A)	80	72	-

※*1.Performance of the installed ejector (nozzle).

○ Mass

Model Number	Mass	Model Number	Mass
SGP-H-190300-CRT30	5.7kg	SGP-H-250X350CRT30	6.4kg
SGP-H-190X300-CRT30G02	5.7kg	SGP-H-250X350-CRT30-G02	6.4kg

○ SGP-H maintenance parts

○ Replacement sponge

SP **190X300** **CRT30**

①

① Sponge size

190X300	For SGP-H-190X300	Mass 207g
250X350	For SGP-H-250X350	Mass 253g

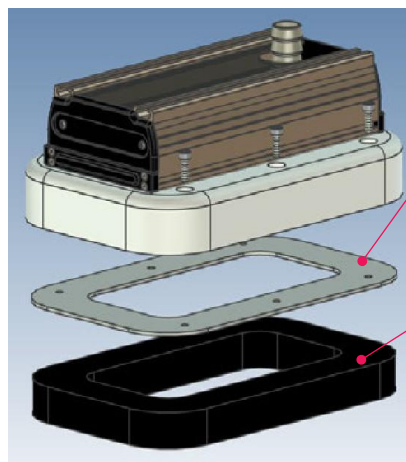
○ Sponge ring

SP **190X300** **RG**

①

① Sponge size

190x300	For SGP-H-190X300	Mass 802g
250x350	For SGP-H-250X350	Mass 1004g



Sponge ring

SP190X300RG

SP250X350RG

Replacement sponge
(with double-sided tape)

SP190X300CRT30

SP250X350CRT30

SGP-H Optional parts

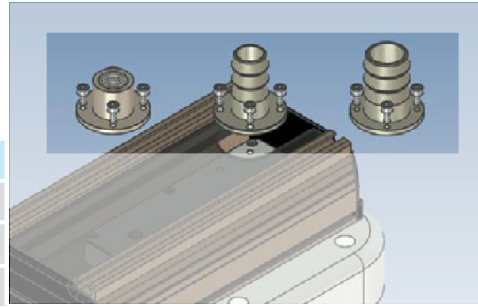
SGP-H Vacuum source external replacement port

SGP- **G01P**

①

① Size

	Connection diameter	Specification	Mass
G01P	Rc1/2 (Fitting diameter)	Screw type	150g
G02P	φ25 (Hose inner diameter)	plug-in type	141g
G03P	φ32 (Hose inner diameter)	plug-in type	176g



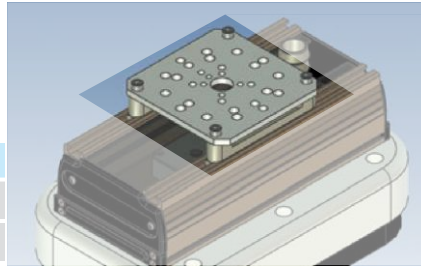
Robot flange

SGP-FL- **A**

①

① Type

	Flange plate P.C.D.	Mass
A	P.C.D.100/80/50/31.5	737g
B	P.C.D.90/63/40	737g

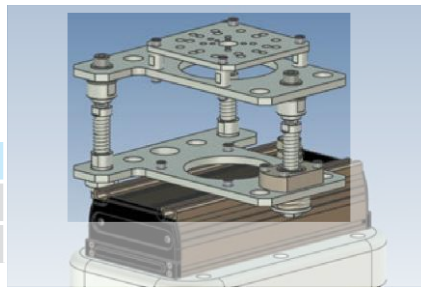


Buffer flange set

SGP-BFL- **A**

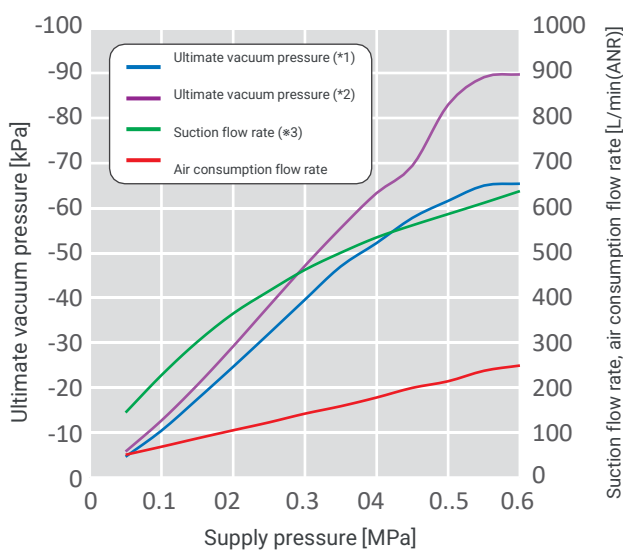
①

	Flange plate P.C.D.	Mass
A	P.C.D.100/80/50/31.5	737g
B	P.C.D.90/63/40	737g



Performance graph

SGP-H-190X300-CRT30

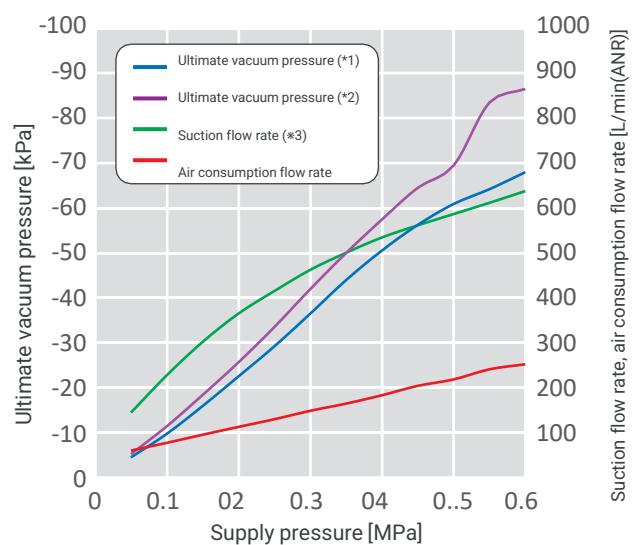


*1, Vacuum adjustment needle shipping condition (-65kPa at 0.55MPa)

*2, Vacuum adjustment needle is fully tightened.

*3, This is the performance of the ejector alone.

SGP-H-250X350-CRT30



*1, Vacuum adjustment needle shipping condition (-65kPa at 0.55MPa)

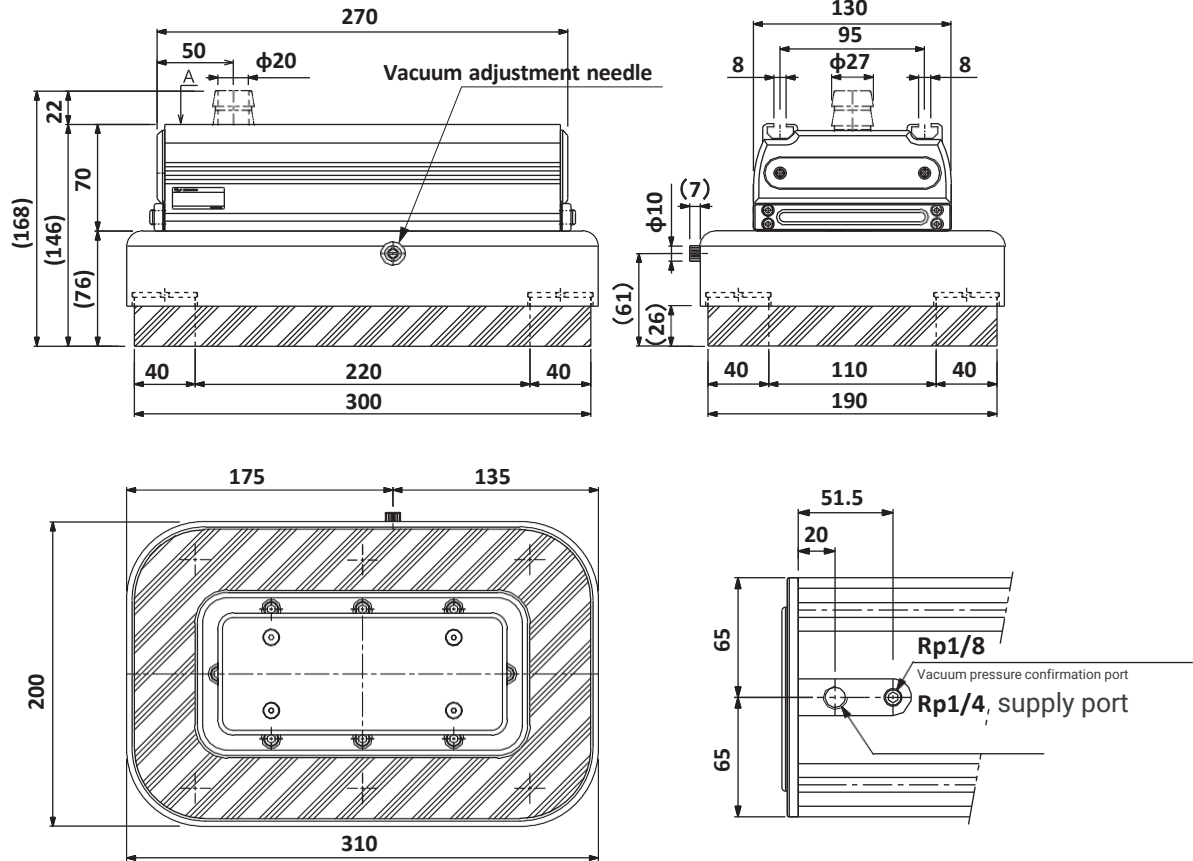
*2, Vacuum adjustment needle is fully tightened.

*3, This is the performance of the ejector alone.

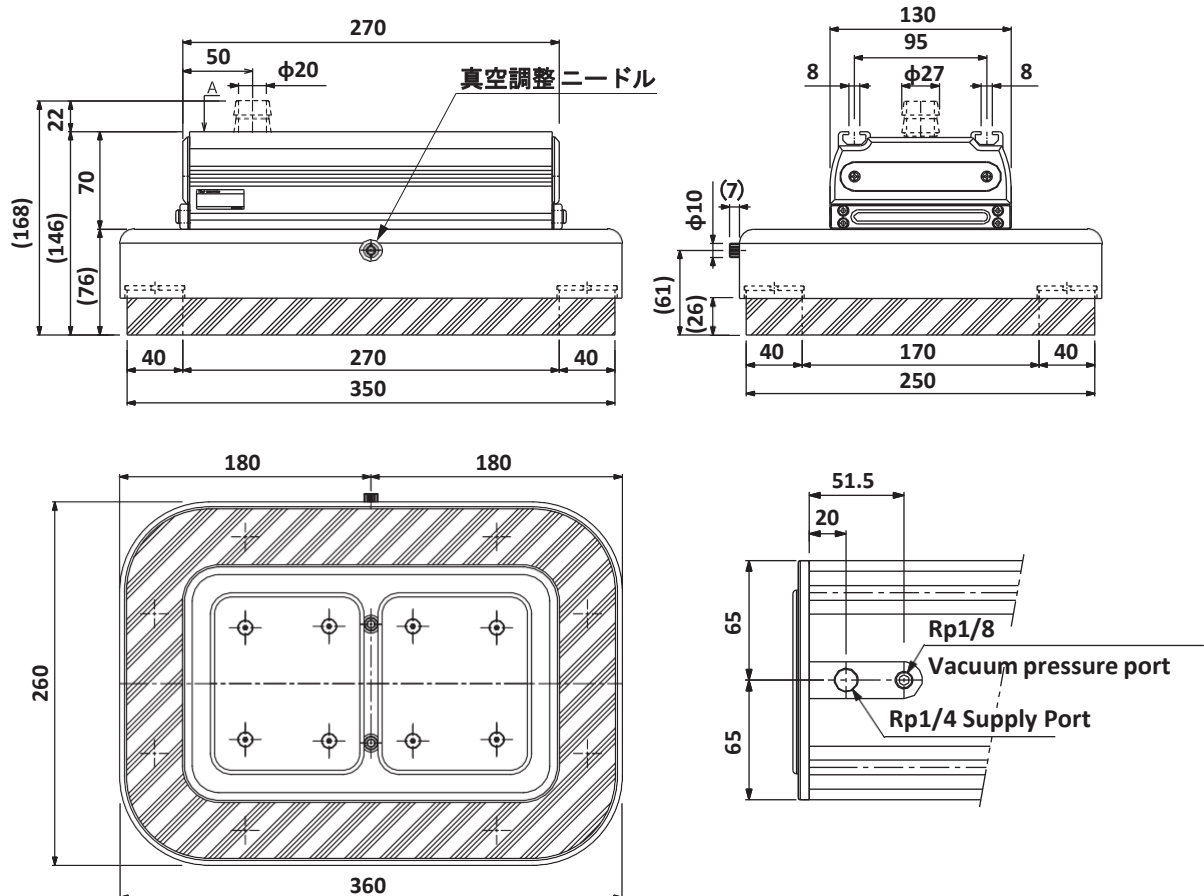
⚠ The performance graphs are actual values measured under our conditions and are not specifications. Please use them as reference values when selecting or using the product.

⚠ Performance changes depending on various conditions such as workpiece deformation and center of gravity deviation, so please conduct a suction test using an actual machine.

SGP-H-190X300-CRT30

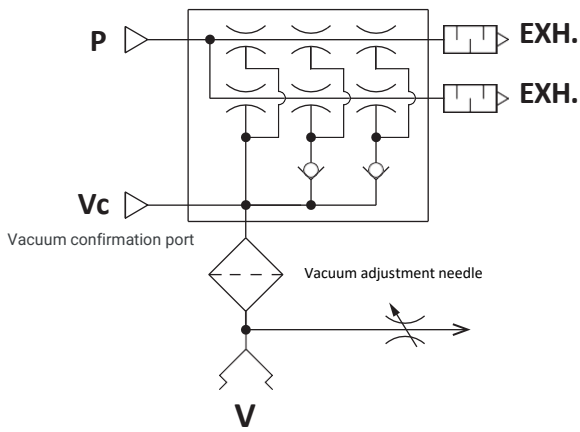


SGP-H-250X350-CRT30



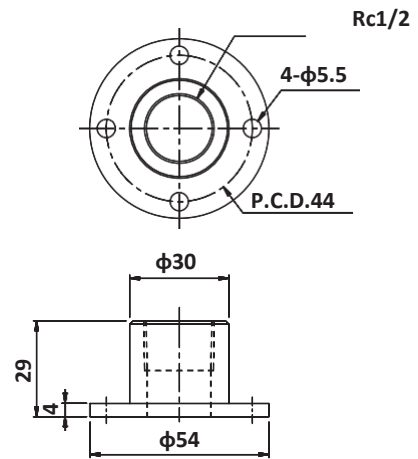
SGP-H- 190X300/250X350-CRT30

SGP-H-190X300/250X350-CRT30

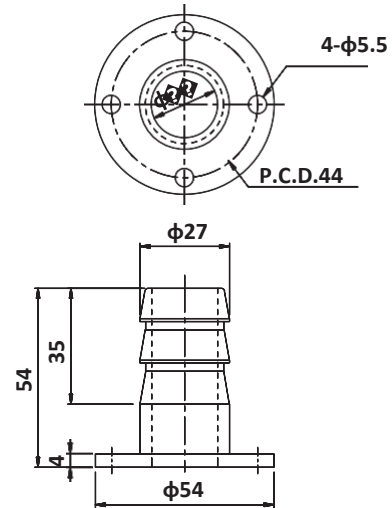


SGP-H Optional parts

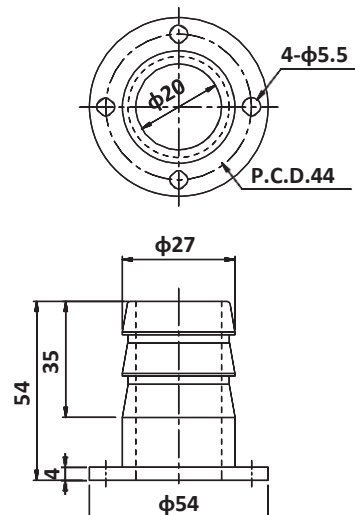
Vacuum external replacement port SGP-1G01P



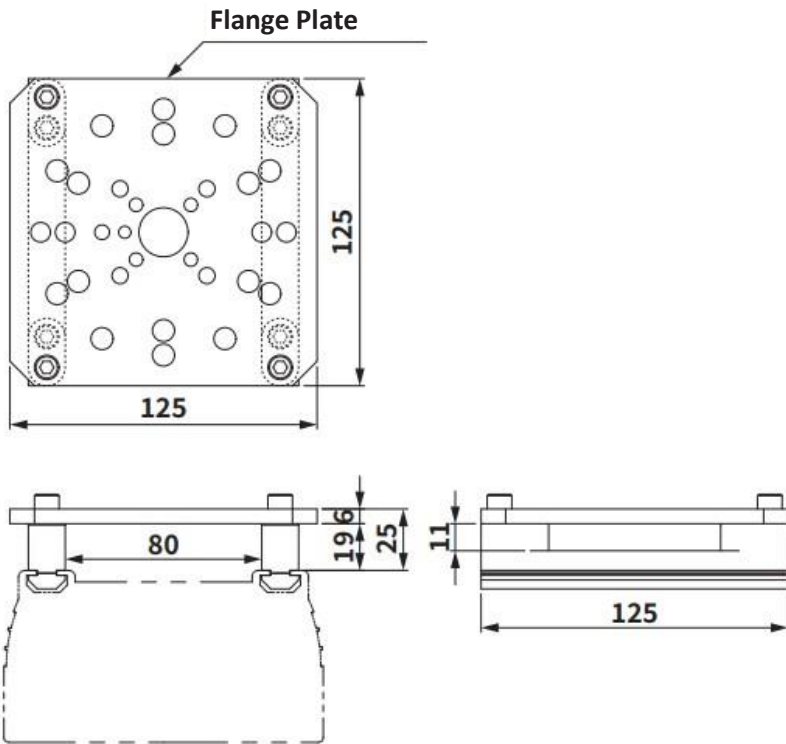
Vacuum source external replacement port SGP-G02P



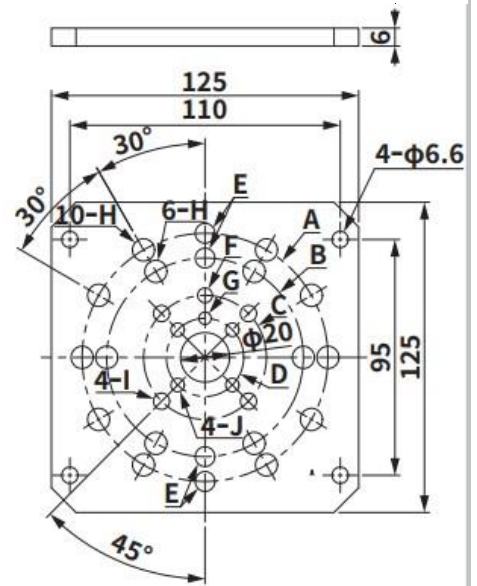
Vacuum source external replacement port SGP-G03P



Robot flange SGP-FL-A/B

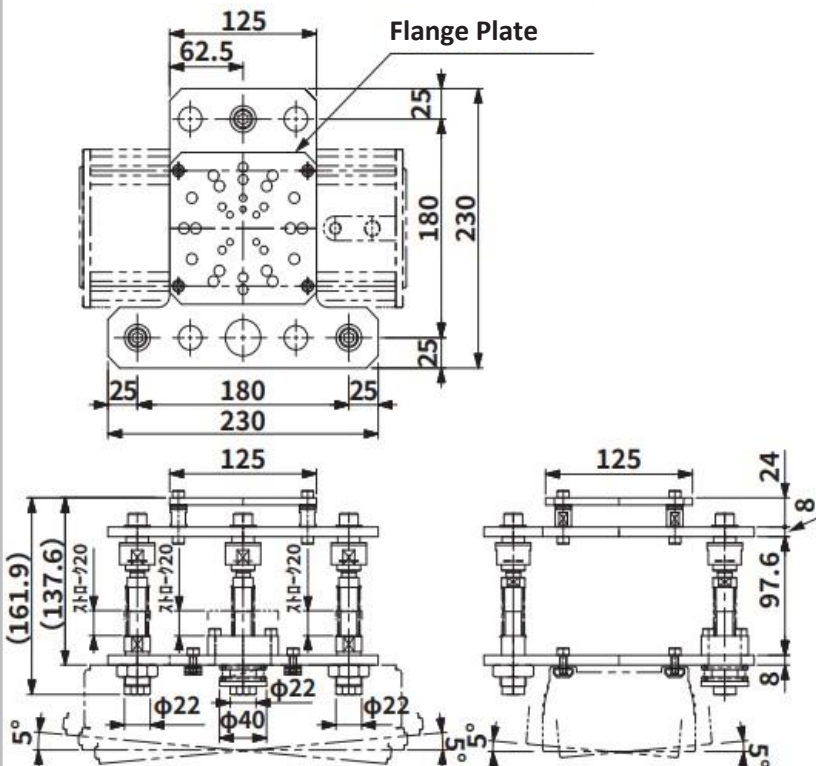


Flange plate detailed dimensions SGP-FL-A/SGP-BFL-A

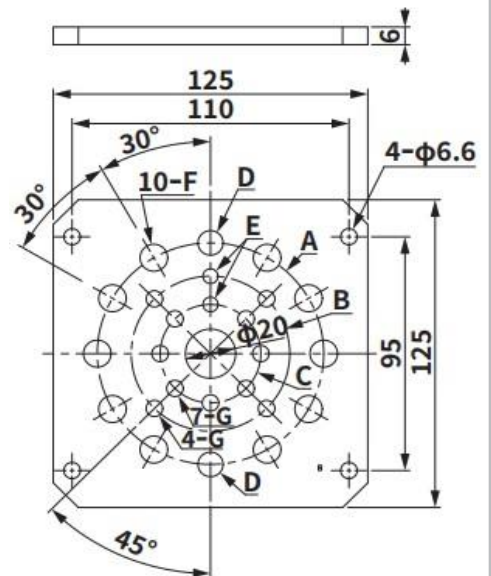


Symbol	P.C.D.	Symbol	Dimensions
A	P.C.D.100	E	φ8G6
B	P.C.D.80	F	φ6G6
C	P.C.D.50	G	φ5G6
D	P.C.D.31.5	H	∅9 Limit
		I	∅6.5 Limit
		J	∅5.5 Limit

Buffer flange set SGP-BFL-A/B



Flange plate detailed dimensions SGP-FL-B/SGP-BFL-B



Symbol	P.C.D.	Symbol	Dimensions
A	P.C.D.90	D	φ10G6
B	P.C.D.63	E	φ6G6
C	P.C.D.40	F	∅11 Limit
		G	∅6.6 Limit

Model number

SGP-H2 **A -250X350-CRT30**

①

②

③

① Flange plate

A	P.C.D.100/80/50/31.5
B	P.C.D.90/63/40

② Sponge size

250X350	L 250mm W 350mm
----------------	-----------------

③ Sponge specifications

CRT30	Material Chloroprene sponge rubber Thickness 30mm Hardness ASCER C 8
--------------	---



Specification

item	Unit	SGP-H2□-250X350-CRT30	
Operating temperature limit	°C	0 ~ 60 However, no freezing	
Fluid used		Oil-free compressed air	
Working pressure range	MPa	0.15 ~ 0.6	
Rated pressure	MPa	0.45	0.55
Ultimate vacuum pressure	kPa	-65	-85
Suction flow rate*1	L/min(ANR)	1114	1208
Air flow rate	L/min(ANR)	402	478
Exhaust volume	Vacuum opening dB(A)	87	88
	Vacuum port closed dB(A)	80	72

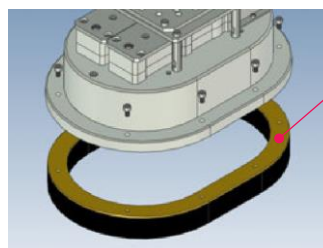
Mass

Format	Mass	Maintenance	Mass
SGP-H2A-250X350-CRT30	5.6kg	SPH250X300CRT30	0.7kg
SGP-H2B-250X350-CRT30	5.6kg	SGP-CVZ-SE	0.8g

Maintenance parts

Replacement sponge (with sponge ring)

SPH250X350CRT30



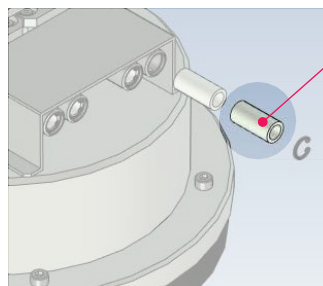
Replacement sponge
(with sponge ring)
SPH250X350CRT30

Silencer element

SGP-CVZ-SE

Note) 1 set, same as SGP-H.

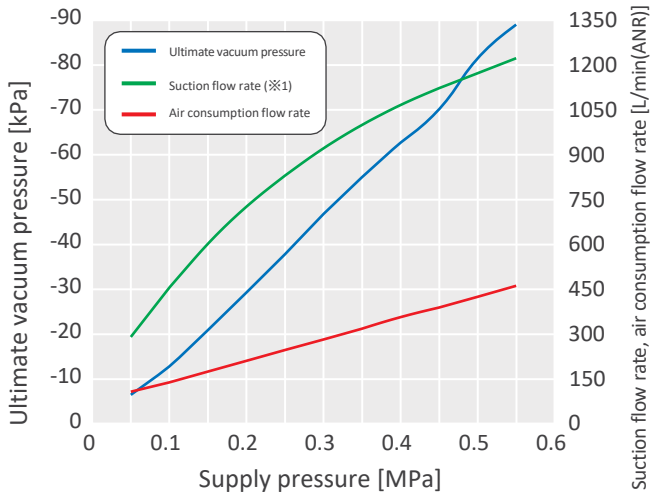
If you want to replace everything with SGP-H2
Please purchase a set.



Silencer element
SGP-CVZ-SE

Performance graph

SGP-H2□-250X350-CRT30



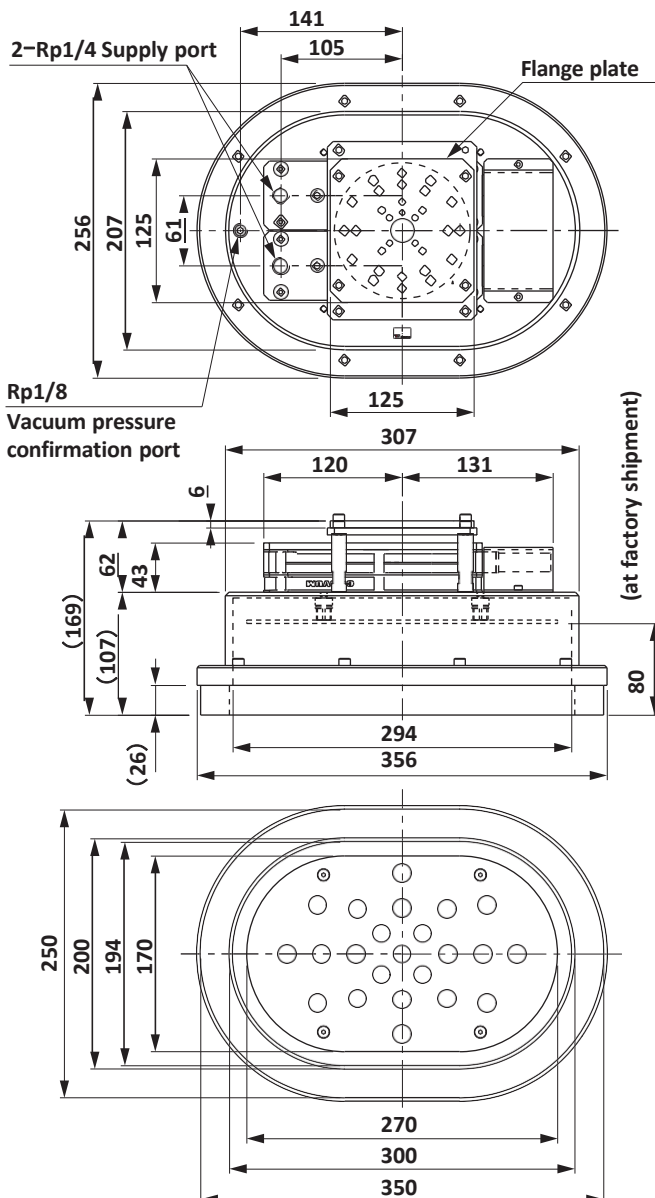
*This is the performance of the ejector alone.

⚠ The performance graphs are actual values measured under our conditions and are not specifications. Please use them as reference values when selecting or using the product.

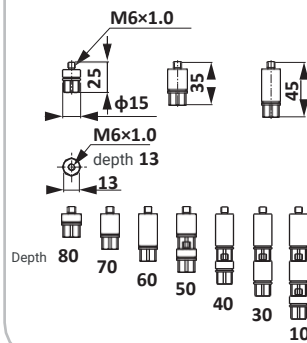
⚠ Performance may vary under various conditions such as workpiece deformation and center of gravity deviation. Please conduct a suction test using an actual machine.

SGP-H2 Dimensions

SGP-H2□-250X350-CRT30

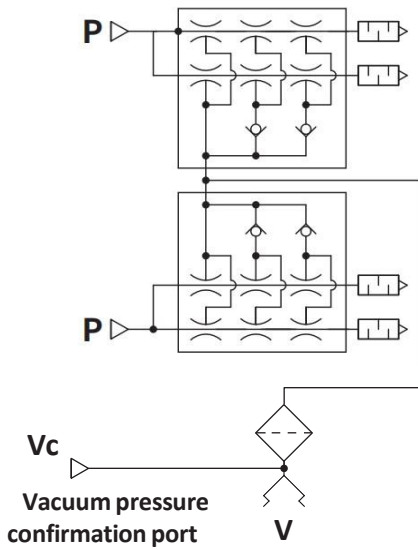


Attached stopper support

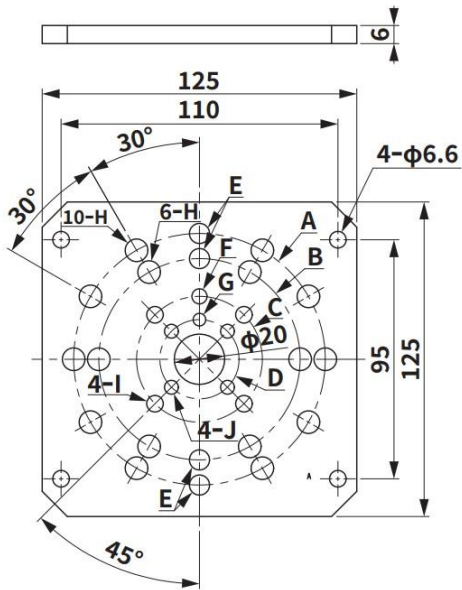


Pneumatic symbol diagram

SGP-H2□-250X350-CRT30

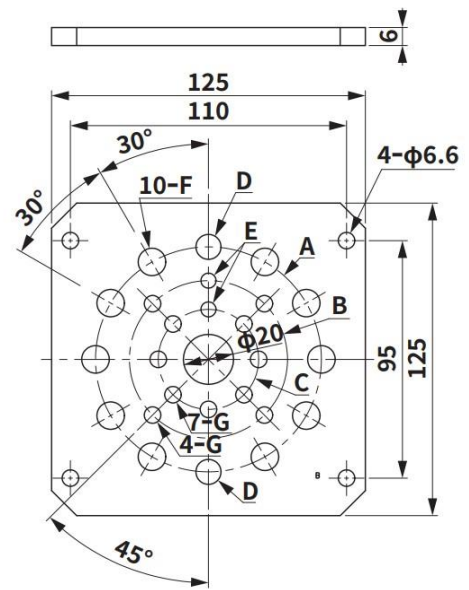


Flange plate detailed dimensions SGP-FL-A/SGP-BFL-A



Symbol	P.C.D.	Symbol	dimensions
A	P.C.D.100	E	φ8G6
B	P.C.D.80	F	φ6G6
C	P.C.D.50	G	φ5G6
D	P.C.D.31.5	H	φ9 Limit
		I	φ6.5 Limit
		J	φ5.5 Limit

Flange plate detailed dimensions SGP-FL-B/SGP-BFL-B



Symbol	P.C.D.	Symbol	Dimensions
A	P.C.D.90	D	φ10G6
B	P.C.D.63	E	φ6G6
C	P.C.D.40	F	φ11 Limit
		G	φ6.6 Limit

List of compatible robots

Format	Maker	Format	Payload (kg)	Flange mounting hole	mounting screw	Locating pin hole			
SGP-FL-A SGP-H2A -250X350 -CRT30	Kawasaki Industries	RS030N	30	P.C.D.80	6-M8	2-φ8			
		RS050N	50						
		RS080N	80						
		RD080N	80						
	Shibaura Machinery	TVM1200	15	P.C.D.50	4-M6	φ6			
		TVM900	20						
	Denso	VLA-4025	40	P.C.D.100	10-M8	φ8			
		VLA-6022	60						
	Fanuc	M-710iC/50T	50						
		M-710iC/50S	50						
		M-710iC/50H	50						
		M-710iC/50E	50						
		M-710iC/70T	70						
		R-1000iA/80F	80						
		R-1000iA/80H	80						
	Mitsubishi Electric	R-1000iA/100F	100						
		RV-35F	35				P.C.D.80	6-M8	2-φ8
		RV-50F	50						
	RV-70F	70							
	Yaskawa Electric	MOTOMAN-GP35L	35						
MOTOMAN-GP50		50							
MOTOMAN-GP88		88							
MOTOMAN-MH50II-35		35							
MOTOMAN-MH50II		50							
MOTOMAN-MH80II	80								
SGP-FL-B SGP-H2B -250X350 -CRT30	Kawasaki Industries	RS015X	15				P.C.D.63	4-M6	φ6
		RS020N	20						
	Denso	VMB-2515	25	P.C.D.40	7-M6				
		VMB-2518	25						
	Fanuc	M-20iA/20M	20						
		M-20iA/35M	35						
		M-20iA/20MT	20						
		M-20iA/35MT	35						
		M-20iB/25	25						
		M-20iB/25C	25						
		M-20iB/35S	35						
		M-710iC/45M	45			P.C.D.90	10-M10	φ10	
		M-710iC/50	50						
	M-710iC/70	70							
	Mitsubishi Electric	RV-20FR(M)(C)	20	P.C.D.40	4-M6	φ6			
		RV-20F(M)(C)	20						
	Yaskawa Electric	MOTOMAN-HP20F	20						
MOTOMAN-MH50II-20		20							

Please note that specifications may change without notice.

Please check our catalog and instruction manual for usage instructions and precautions. Please contact us for delivery dates.



convum.com

2-6-18 Shimomaruko, Ohta-ku, Tokyo 146-0092,
Japan

TEL 81-3-3759-1491

FAX 81-3-5741-7020