

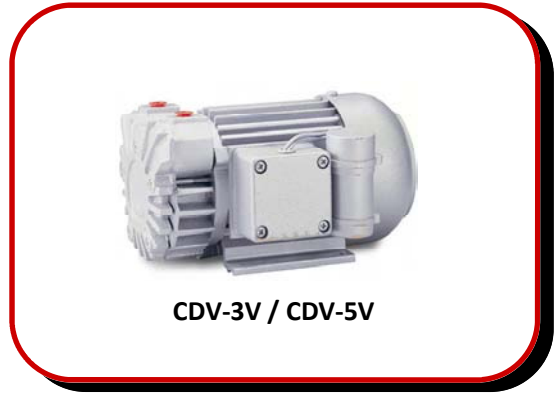


Vacuum Pump Line-up



Feature

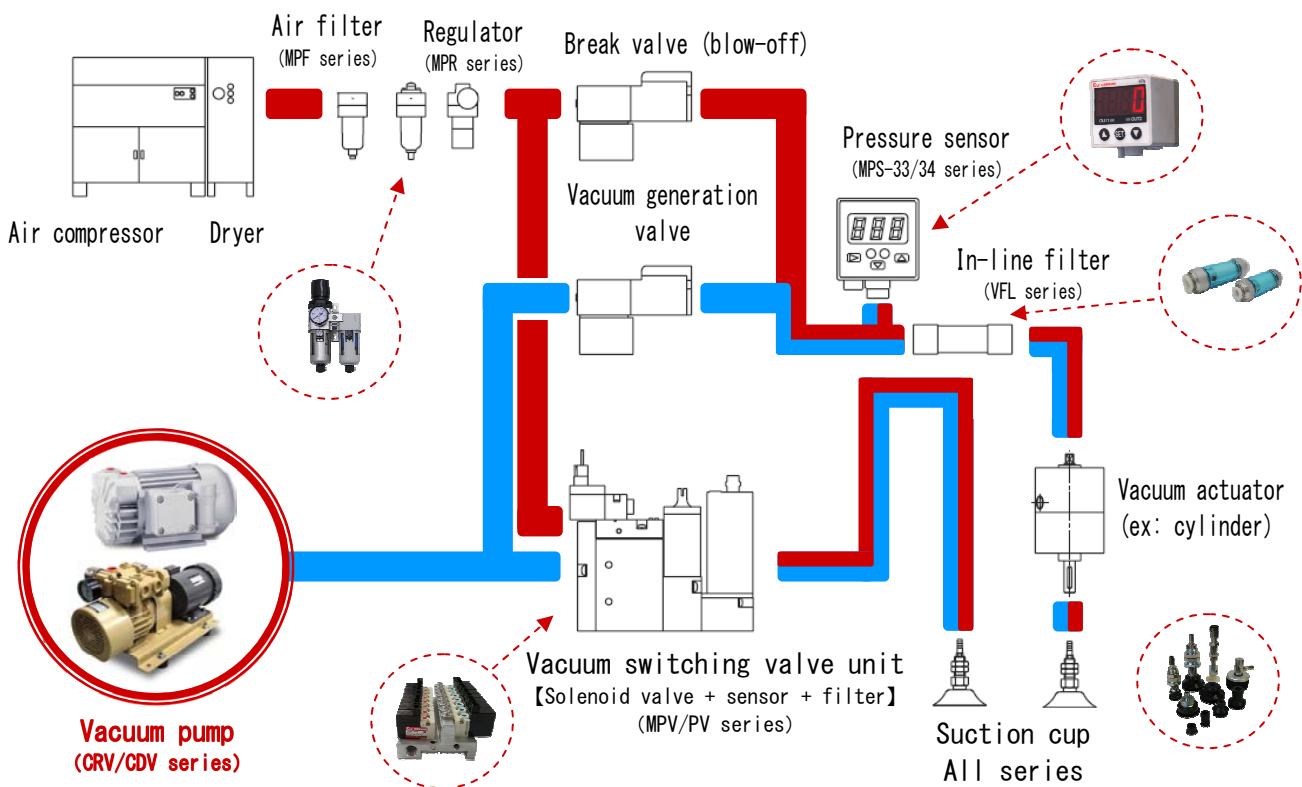
- Rotary vane vacuum pump



Feature

- Rotary vane vacuum pump
- Easy installation
- Space-savings

VACUUM PUMP SYSTEM



CRV Series



Selection and Specifications

CRV — 16V — 2

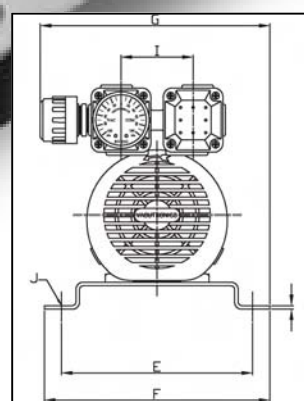
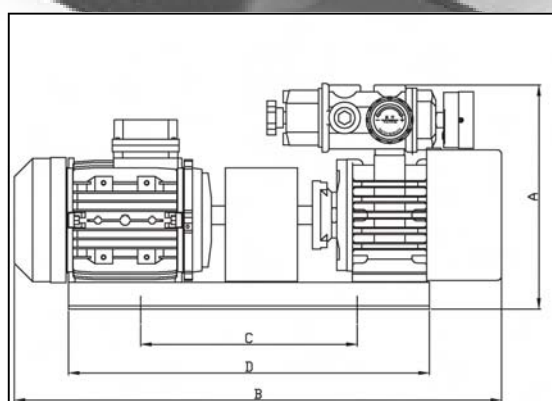
Motor power	
16V	0.40kW
25V	0.75kW

Voltage	
2	Three phase 220V

Model	Unit	CRV-16V		CRV-25V	
		50	60	50	60
Frequency	Hz	50	60	50	60
Vacuum (air) flow	ℓ/min	230	280	400	480
Max. vacuum level	kPa	-86.3		-86.3	
Vacuum pressure	kPa	-59.7		-59.7	
Motor		Three phase		Three phase	
Voltage	V	220		220	
Motor power	kW	0.40		0.75	
Noise level	dB	64 / 65		64 / 65	
Ambient	°C	7~40		7~40	

Dimensions

(mm)



Model	A	B	C	D	E	F	G	H	I	J	K	Weight
CRV-16V	248	468	304	365	205	230	270	4.5	90	φ 11.3	Rc3/4	22Kg
CRV-25V	250	540	240	400	212	250	280	4	90	φ 11.3	Rc3/4	26Kg

The company reserves the right to make changes at any time, without notice.

CDV Series



Selection and Specifications

CDV - 3V - 1

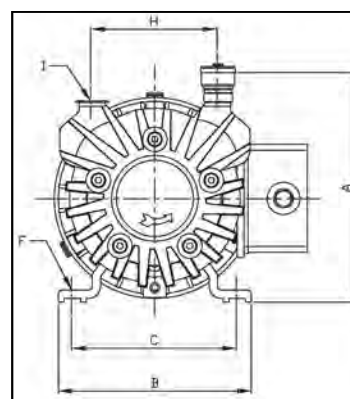
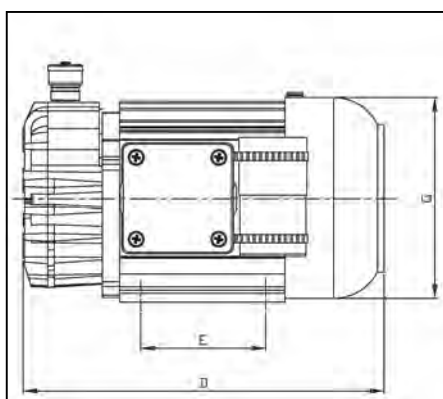
Motor power	
3V	0.25kW
5V	0.40kW

Voltage	
1	Single phase 110V
2	Single phase 220V

Model	Unit	CDV-3V		CDV-5V	
Frequency	Hz	50	60	50	60
Vacuum (air) flow	ℓ/min	57	70	100	113
Max. vacuum level	kPa	-89	-90	-89	-90.3
Motor		Single phase		Single phase	
Voltage	V	110/220		110/220	
Motor power	kW	0.25		0.40	
Noise level	dB	56	58	58	60
Ambient	°C	7~40		7~40	

Dimensions

(mm)



Model	A	B	C	D	E	F	G	H	I	Weight
CDV-3V	135	154	100	216	80	φ7	122	68	Rc1/8	6.5Kg
CDV-5V	135	154	100	216	80	φ7	122	68	Rc1/8	6.5Kg

The company reserves the right to make changes at any time, without notice.

Maintenance parts



CONVUM[®]

Myotoku Ltd.



Filter element

CRV-F

- CRV-16/25
(common element)



Vacuum filter

AF001-3

- Port thread: Rc1/4
Mounting option available



Vane

- CDV-3V-V (for CDV-3V)
- CDV-5V-V (for CDV-5V)
- CRV-16V-V (for CRV-16V)
- CRV-25V-V (for CRV-25V)

Vacuum pump related products



Digital pressure sensor

MPS-33 Series

- Pressure range
Negative: -101~0kPa
Positive: -0.1~1 MPa
Compound: -101~500kPa
- Analog output: 1~5V



Compact vacuum switching valve

PV Series

- High speed response:
50ms
- Compact & Light weight
- Sensor mounting option



Suction cup series

Suction cup series

- Size: ϕ 0.55~200mm
- Shape: flat, bellows, etc
- Material: Nitrile,
Silicone
Fluorine, etc.

Please feel free to consult us about your vacuum application.
We'll be pleased to help choose the best product for your handling application.