

# Compact rotary vane vacuum pump CDV series



- Rotary vane vacuum pump
- Easy installation
- Space-savings

## How to order

①      ②  
 CDV - 3V - 1

① Body		② Voltage	
3V	Motor power 0.25kW	1	Single phase 100V
5V	Motor power 0.40kW	2	Single phase 220V

## Maintenance parts

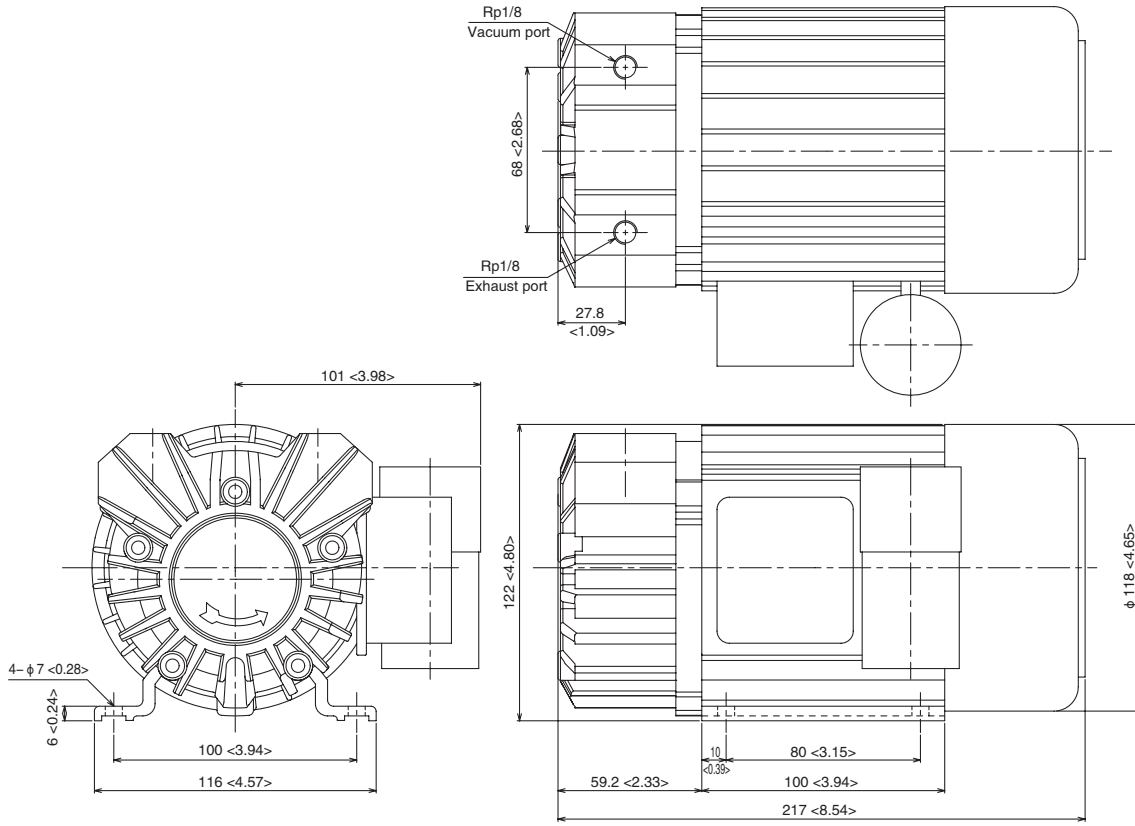
- Vane  
 CDV-3V-V (For CDV-3V)  
 CDV-5V-V (For CDV-5V)
- Vacuum filter  
 AF001-3 (Port thread : Rc1/4)

## Specifications

Model	Unit	CDV-3		CDV-5	
		50	60	50	60
Frequency	Hz	57	70	100	113
Vacuum (air) flow	l/min	-89	-90	-89	-90.3
Max. vacuum pressure	kPa	Single phase			
Motor		110/220			
Voltage	V	0.25		0.4	
Motor power	kW	57	70	58	60
Noise level	dB	7-40			
Ambient temperature	°C	6.5			
Mass	kg				

Dimensions

Unit:mm <inch>



Performance charts

