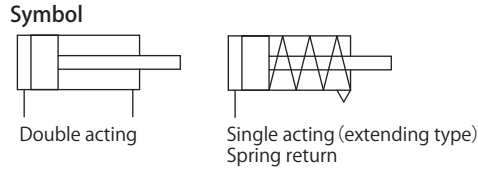


# MKY Miniature Cylinder with Push-in Connector

- With push-in connector
- It can be directly attached to the body
- Double acting and single acting can be selected



## How to Order

MKY - W - 6X4

① Acting Type

O	Single acting (extending type)
W	Double acting (φ6, φ8, φ10 only)

② Tube I.D. × Stroke(mm)

4.5X3	φ4.5×3	8X4	φ8×4
4.5X6	φ4.5×6	8X8	φ8×8
6X4	φ6×4	10X5	φ10×5
6X8	φ6×8	10X10	φ10×10

## Standard stroke

Tube I.D.(mm)	Standard stroke (mm)
4.5	3, 6
6	4, 8
8	4, 8
10	5, 10

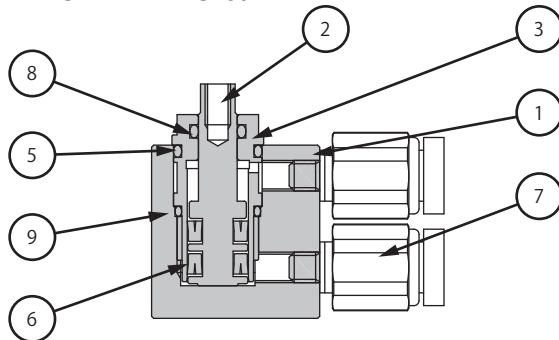
## Specifications

Description \ Tube I.D.	mm	φ 4.5	φ 6	φ 8	φ 10
		Double acting/single acting (extending type)			
Fluid		Non-lubricated compressed air			
Withstand pressure	MPa	0.9			
Max. Operating pressure	MPa	0.6			
Min. Operating pressure	MPa	0.2			
Ambient and fluid temperature	°C	0~60(No Freezing) <sup>Note1</sup>			
Cushion		N/A			
Stroke allowance	mm	0~+1.0			
Piston speed range	mm/s	50~750			

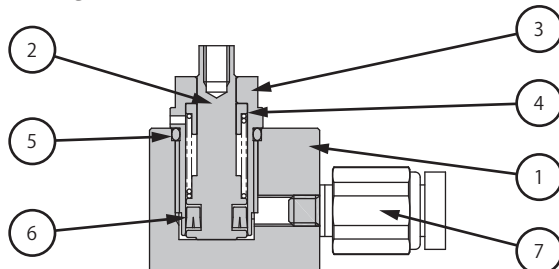
Note1) When using under 5°C, dry air should be supplied to prevent drain from freezing.

## Construction

### Single Acting (extending type)



### Double Acting



### Component Parts

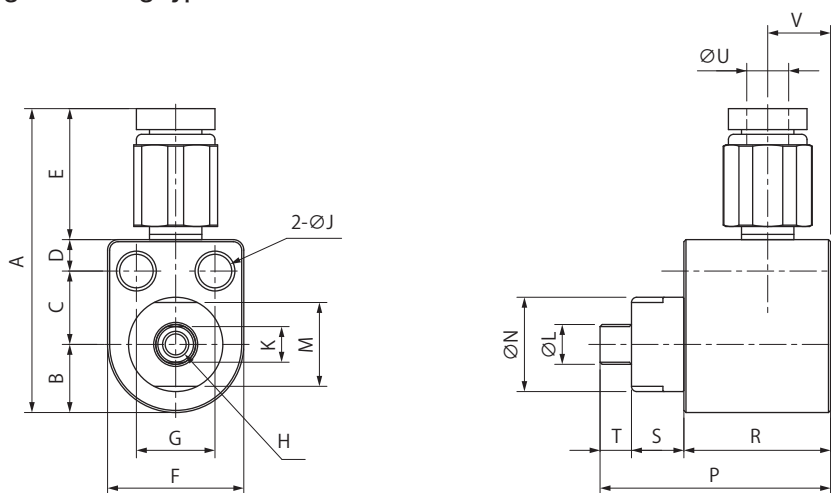
No.	Parts name	Material
1	Body	Aluminum
2	Piston	SUS
3	Rod cover	Brass
4	Spring	SUS
5	O ring	NBR
6	O ring	H-NBR
Note 1	Mini Y packing	H-NBR
7	Push-in connector	-
8	O ring	H-NBR
9	O ring	NBR

Note1) Use mini Y Packing for cylinder I.D. φ6 or more.

Dimensions

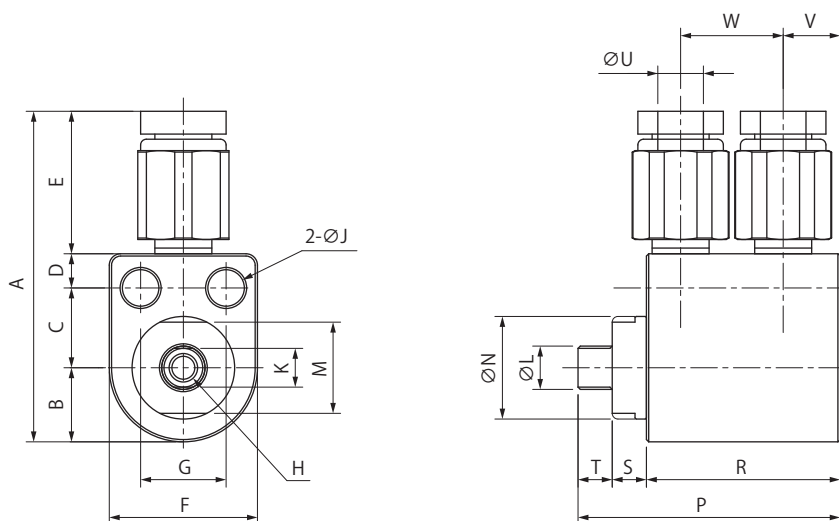
(mm)

Single Acting (extending type)  
MKY-O



Model number	A	B	C	D	E	F	G	H	J	K	L	M	N	P	R	S	T	U	V	Port screw
MKY-O-4.5X3	28.5	5.5	6	2.5	14.5	11	6.5	M2.5×0.4 depth 3.5	2.7	2.6	3	7	8	18	10	5	3	4	5	M3
MKY-O-4.5X6														24	16				6	
MKY-O-6X4	31	6.5	7	3	16	13	7.5	M2.5×0.45 depth 4	3.2	3.4	3.8	8	9	22	14	6	3	6	7	M5
MKY-O-6X8														31	23				8	
MKY-O-8X4	36	8	9	16	16	10	M3×0.5 depth 5	3.2	4.5	5.5	12	14	23	14	7	3	6	7	M5	
MKY-O-8X8													31	22				8		
MKY-O-10X5	37	9	9	16	18	12	M3×0.5 depth 5	3.2	5	6	14	16	28	18	7	3	6	8	M5	
MKY-O-10X10													39	29				8		

Double Acting  
MKY-W



Model number	A	B	C	D	E	F	G	H	J	K	L	M	N	P	R	S	T	U	V	W	Port screw
MKY-W-6X4	31	6.5	7	3	14.5	13	7.5	M2.5×0.45 depth 4	3.2	3.4	3.8	8	9	23	17	3	3	4	5	9	M3
MKY-W-6X8														27	21				6		
MKY-W-8X4	36	8	9	16	16	10	M3×0.5 depth 5	3.2	4.5	5.5	12	14	28	23	4	3	6	6.5	12	M5	
MKY-W-8X8													30	23				9			
MKY-W-10X5	37	9	9	16	18	12	M3×0.5 depth 5	3.2	5	6	14	16	29	22	4	3	6	9	12	M5	
MKY-W-10X10													33	26				9			