

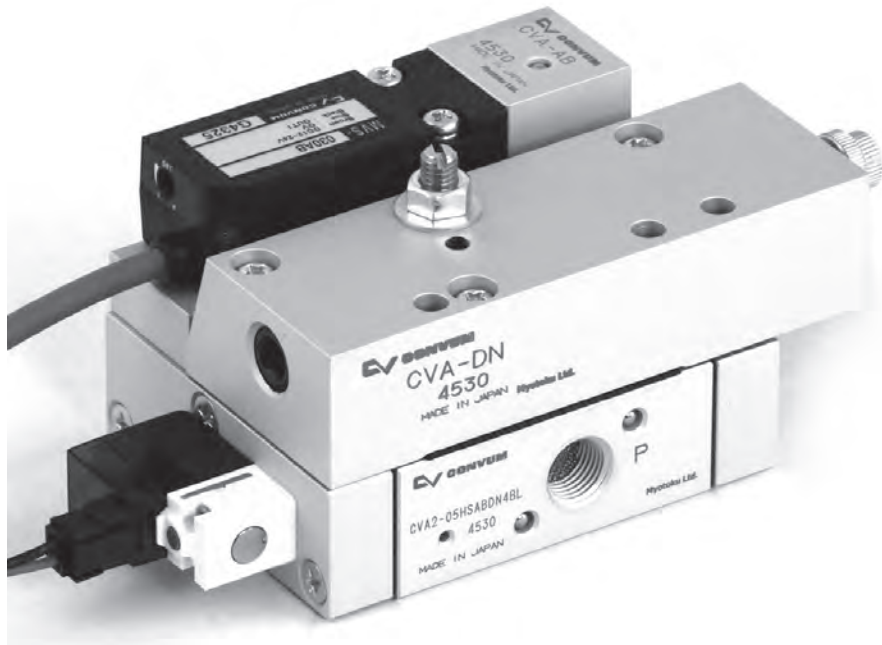
Electronic Pressure Sensor

MVS-030AB Series



Small size, high-accuracy vacuum pressure sensor!

- High-speed response time : **2msec**
- Setting pressure range : **-101.2 ~ -2.7kPa**
- Can be mounted on our CONVUM
Easy to replace the sensor.



How to Order

• Single Type

MVS — 030AB — R

①

① Port Size

Symbol	Specifications
R	R1/8
NPT	NPT1/8
G	G1/8

※ Please consult with us for PNP output type.

• CONVUM Mounting Type

MVS — 030AB — MC22

①

① Applicable CONVUM

Symbol	Applicable CONVUM
MC22	MC22
CVA	CVA2
MC72	MC72
MPV3	MPV3

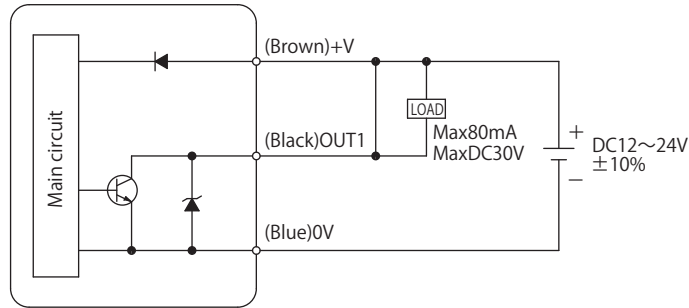
Specifications

Description \ Model number		Unit	MVS-030AB
Fluid			Air, non-corrosive gas, non-flammable gas
Diaphragm			Silicon diaphragm
Rated pressure range		kPa	-101 ~ 0
Setting pressure range		kPa	-101.2 ~ -2.7
Setting value before shipment		kPa	-46.6
Withstand pressure		MPa	0.5
Ambient temperature range		°C	0 ~ 50 (No freezing)
Ambient humidity range		%RH	35 ~ 85 (No condensation)
No condensation		V	DC12 ~ 24 ± 10%, ripple (Vp-p) 10% or less
Maximum power consumption		mA	20
Switch output	Type		NPN open collector 1 output
	Maximum load current	mA	DC30V 80mA
Repeatability		%	± 3 F.S
Response time		msec	2 or less
Hysteresis			5% of setting value
Display			Red LED
IP class			IP40
Noise resistance			Vp-p240V, 10ms, 0.5 μs (by noise simulator)
Setting method			2/3 turn trimmer
Electrical connection			Grommet
Cable			φ4 3 lead wires X0.15mm 2m
Weight (With cable)		g	64

MVS-030AB Electronic Pressure Sensor

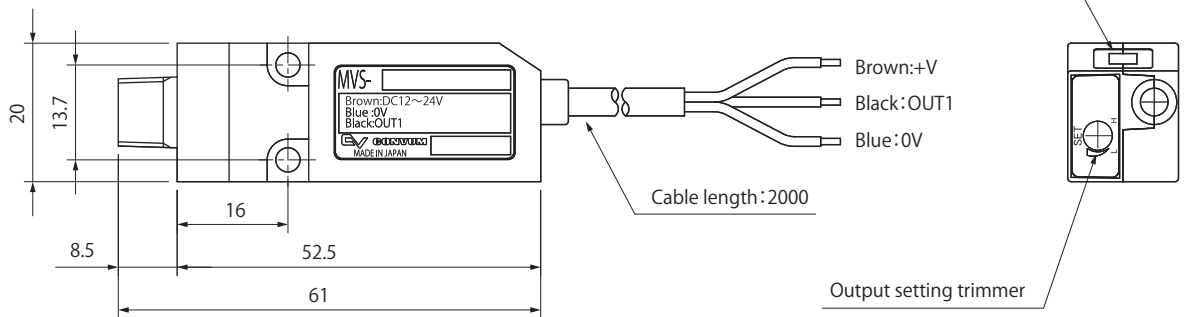
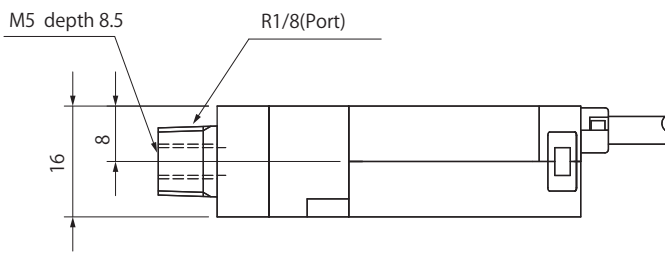
Internal Circuit

NPN Output



Dimensions

(mm)



04
Pressure sensor

MPS-35

MPS-23

MPS-9

MPS-10

MVS-201

MVS-030AB

Mounting Method on CONVUM

